

Technical data sheet

Load monitoring · LOCC-Box-EDNet

Electronic circuit breaker rated up to DC 6 A, with communication

Two-channel version, adjustable current range: DC 1 A - 6 A

Fixed characteristic: slow-1 (C3)



Identification

Type	LOCC-Box-EDNet I-C3
Part No.	716419.0300

Product version

Hardware revision	2.0
Software version	2.6
Datasheet version	02

Input

Type of function	2-channel 1 pin switching
Rated voltage U_N	DC 12/24 V
Operation voltage range	DC 10–30 V
Rated current I_N	DC 2 × 6 A
Supply current	DC 40 A
Reverse voltage protection	Internal electronics
Connection type input	Screwless contact slide

Output

Ampacity	DC 2 × 6 A Total current
Switching element	MOSFET
Output current	Max. DC 6 A per channel
Voltage drop	Max. 125 mV (6 A, per channel)
Status display output	LED green: no error, LED green flashing: 90 % utilisation LED red flashing: triggered, LED red: unit off
Switch-on capacity	10000 μ F

United Kingdom: LÜTZE Ltd.

Unit 3, Sandy Hill Park
Sandy Way, Amington • GB-Tamworth, Staffs B77 4DU
Tel. +44 (0)1827 31333-0
www.lutze.com • sales.gb@lutze.co.uk

Germany: Friedrich Lütze GmbH

Postfach 12 24 (PLZ 71366) • Bruckwiesenstraße 17-19 • D-71384 Weinstadt
Tel. +49 (0)7151 6053-0
www.luetze.de • info@luetze.de

Technical data sheet

Load monitoring · LOCC-Box-EDNet

Current range	1 A – 6 A (adjustable via switch in 1 A steps)
Characteristic	Slow 1 (3), fixed setting
Power Dissipation	1,5 W (in total)

Signal output

Signal level	High level: no error Low level: unit has triggered or is switched off
Switching element	Transistor, collector with pull-up resistance

General

Dimensions (w × h × d)	8.1 mm × 107.4 mm × 116.0 mm
Housing material	PA 6.6 (UL 94 V-0, NFF I2, F2)
Color of the housing	RAL 7012 Basalt grey
Mounting	DIN rail mountable TS35 (EN 60715)
Installation position	Any
MTBF	690000 h @ 40 °C, 100 operations button, 30 revolutions coding switch
Degree of protection	IP20 (only as complete system with supply terminal and end block)
Connection type	Push-In 0.25 mm ² – 2.5 mm ² AWG 24 – AWG 14
Weight/unit	0.07 kg
PU (units)	1

General ambient conditions

Operation temperature range	-25 °C ... +50 °C
Storage temperature range	-40 °C ... +85 °C
Relative air humidity	10 % – 95 %, without condensation
Vibration resistance	4 g acc. to EN 60068-2-6
Shock resistance	15 g 11 ms acc. to EN 60068-2-27:2009

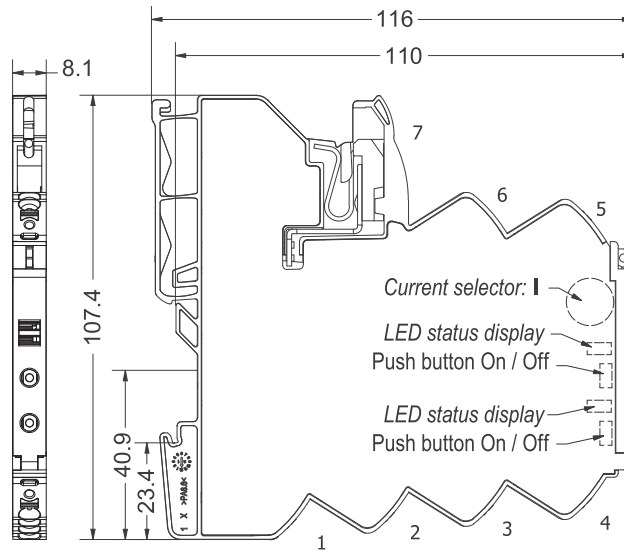
Certifications/Standards

Conformity	CE UKCA
Certifications	cULus (E135145) URus (E490188)
Standards	EN 61000-6-2 EN 61000-6-3 UL 60947-5-1 UL 2367 DNVGL-CG-0339 Temperature Class D – not certified Humidity Class B – not certified Vibration Class B – not certified EMC Class A – not certified Enclosure Class A – not certified

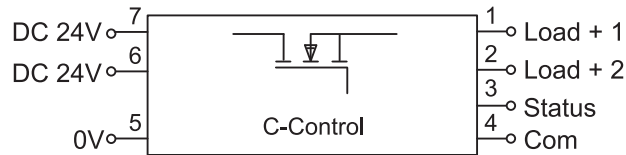
Technical data sheet

Load monitoring · LOCC-Box-EDNet

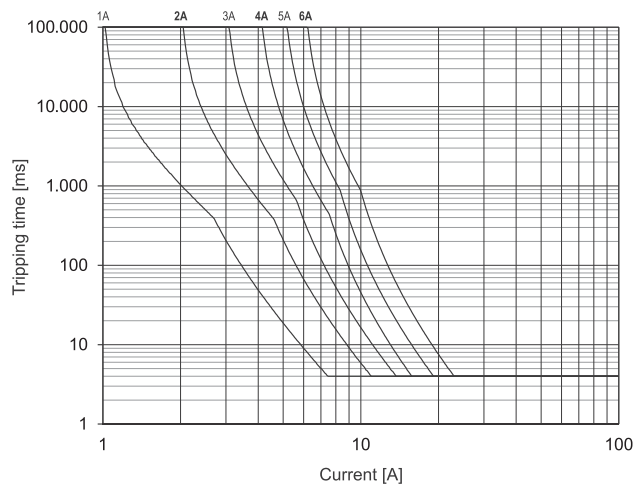
Dimensions



PIN assignment



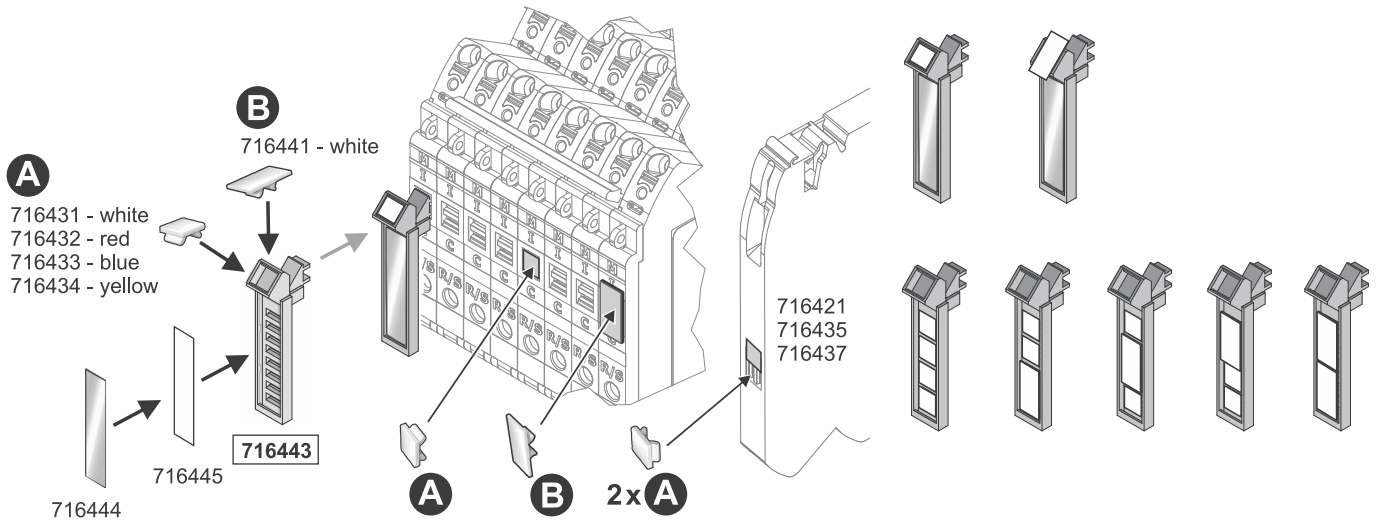
3: Characteristic slow-1



Technical data sheet

Load monitoring · LOCC-Box-EDNet

Use



Signal output

